

> THE MOST RELIABLE AND
ROBUST ON THE MARKET

Seawater Watermakers
with energy recovery system

Patented
Technology


EcoSystems
energy recovery watermakers

give life, make water



ENERGY SAVING
80%
UP TO

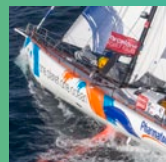
Watermaker Water-Pro S60/S90

- Energy Efficient Watermakers
- Saving up to 80% power consumption
- Very quiet performance, no vibrations
- Production of 1400 or 2000 liters per day
- Automatic operation
- Easy to install
- AC or DC power
- No AC generator is needed

Low consumption watermaker recommended for boat-lengths between 12 and 18m.

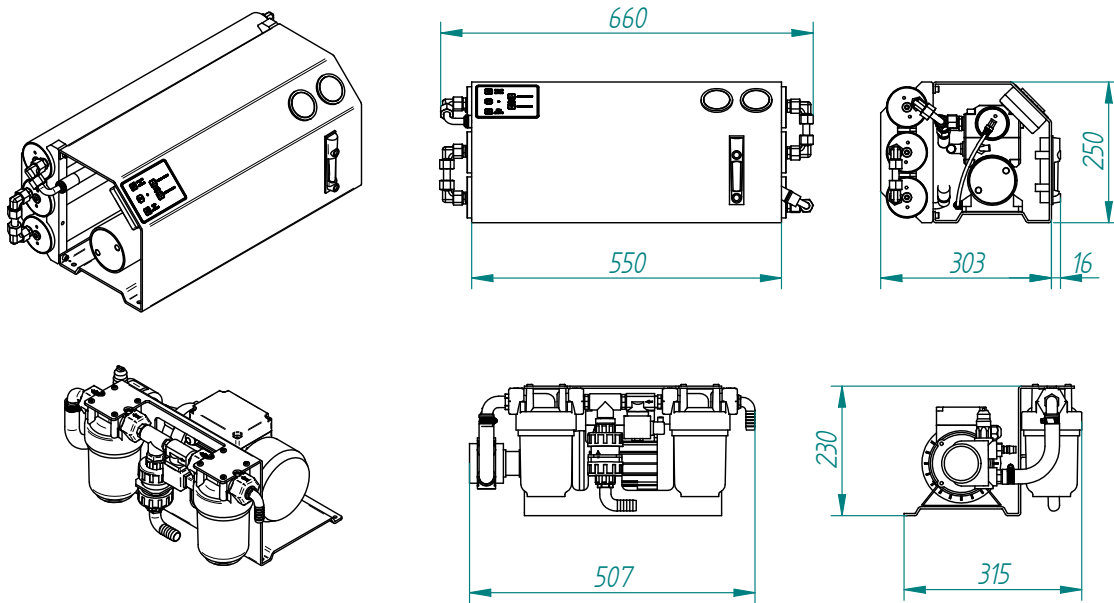
The WATER-PRO series, using the ST-15 pump with ceramic technology, offers solutions to production requirements from 60 to 90 liters per hour. Modular and Compact configurations available. BASIC models (manual fresh water flushing) or STANDARD models (automated fresh water flushing and speed control), are all suitable for power supplies of 12 V/24V DC and 220 V AC. It is a flexible and adaptable series where you can find the adequate watermaker for each boat at these production levels.

www.eco-systems.com



Watermakers which have raced around the world across the 5 oceans and the most extreme areas of the planet. Now you can enjoy total freedom with the assurance of a great brand.

Specifications & Dimensions



	S - 60	S - 90
Weight	41kg	46Kg
Energy consumption	350w/h	540w/h
Average Amp. consumption	29A/12v - 14,6A/24v - 1,6A/220v	45A/12v - 22,5A/24v - 2,4A/220v
Booster pump minimum inlet pressure	+0,05 bar	+0,05 bar
Booster pump outlet pressure	10 - 12,5 bar	11 - 14 bar
High pressure pump outlet pressure	45 - 60 bar	45 - 60 bar
Feed Flow	600 l/h	900 l/h
Average effective production	60 l/h (+/- 10%)	90 l/h (+/- 10%)
Conversion	10%	10%
Rejected /permeated ratio	09:01	09:01
Osmotic membrane type	2 membranes 2,5" x 21"	3 membranes 2,5" x 21"



ECO-SYSTEMS WATERMAKERS S.L.

C/ Horta, 22. 08203 Sabadell, Barcelona (España)
 Tel: +34 937 108 950 | Fax: +34 937 122 355
 Email: info@eco-systems.com
www.eco-systems.com

Autorized Dealer:

